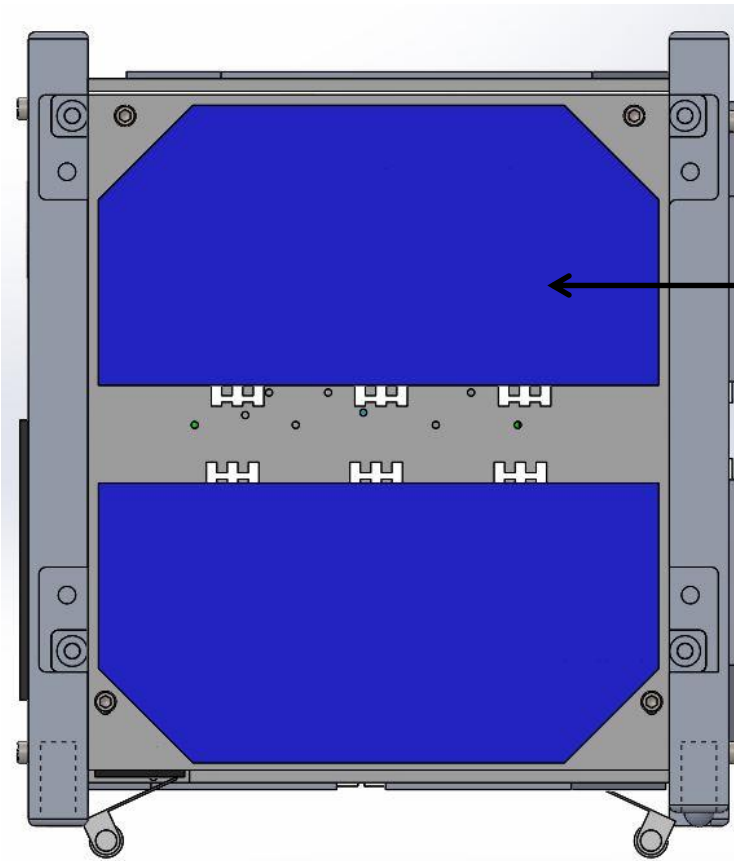


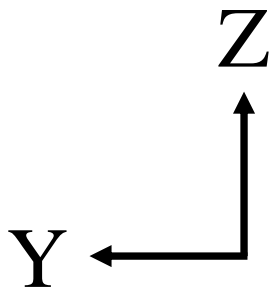
BIRD CAD Drawing

11 July 2016

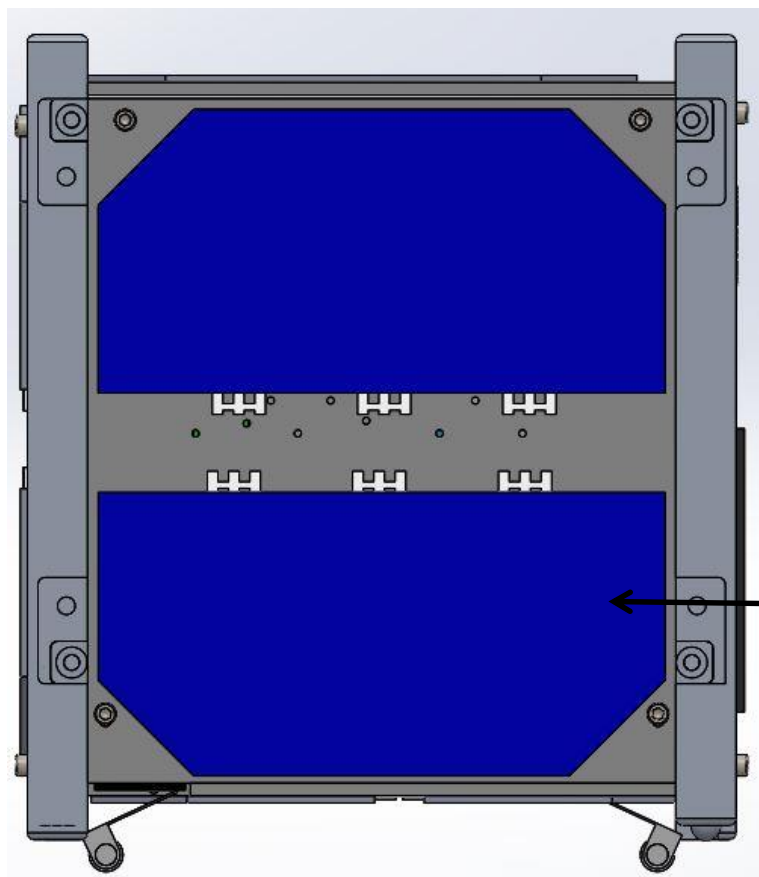
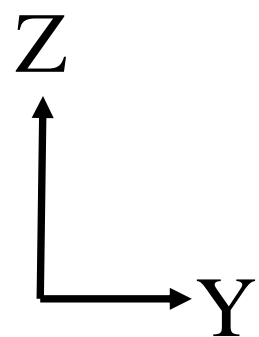
+X面



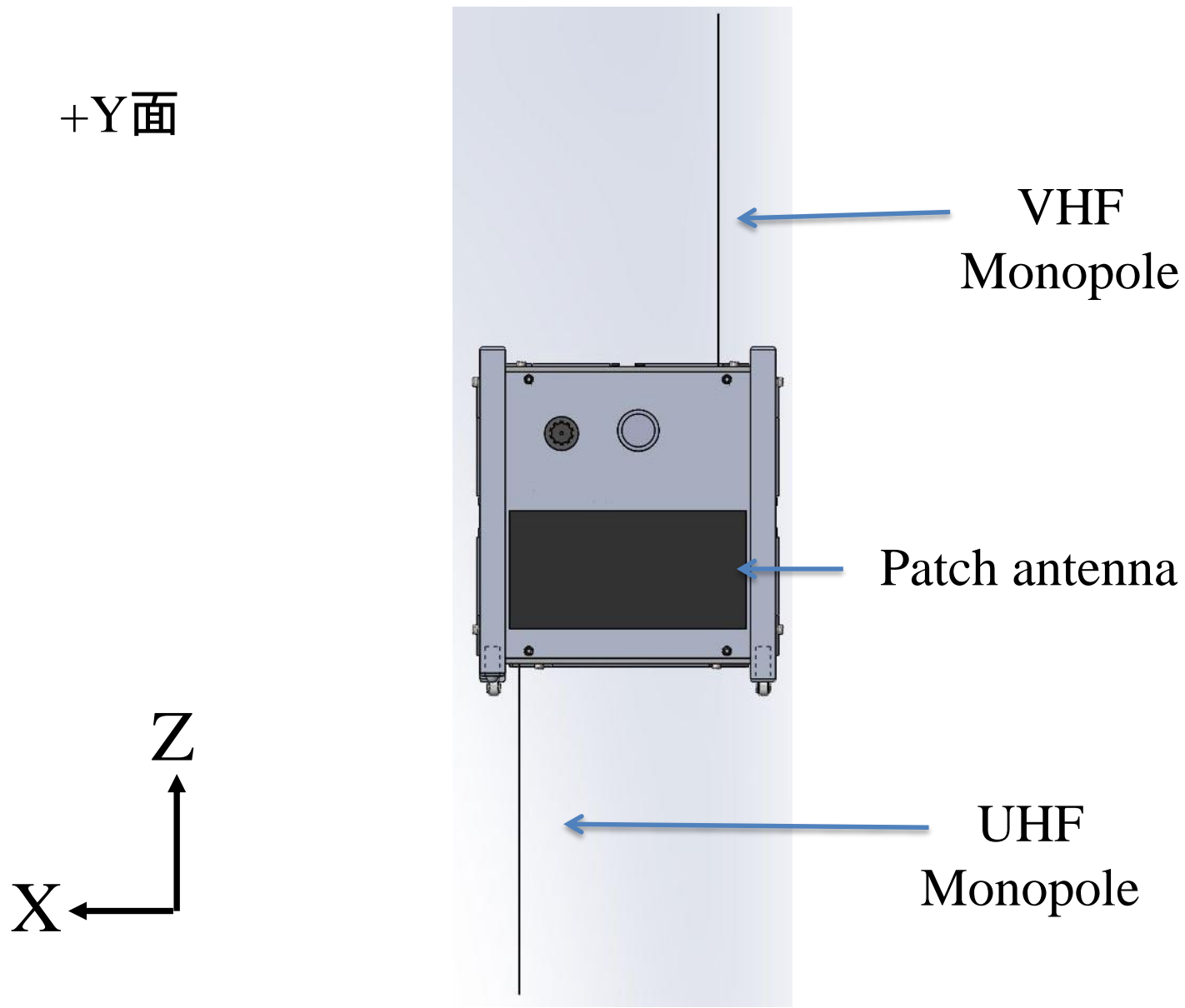
Solar cell



-X面



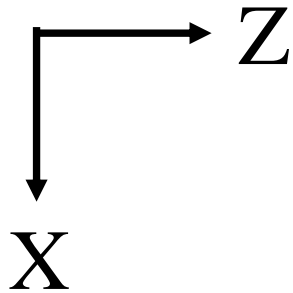
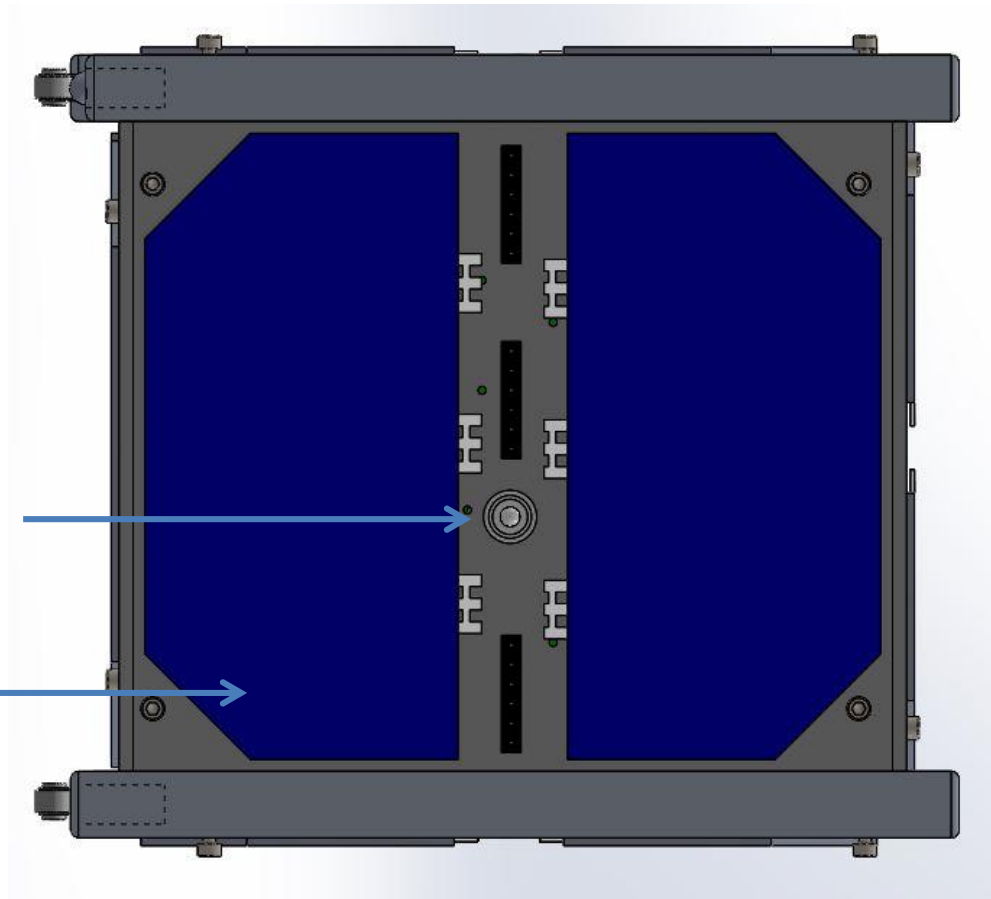
Solar cell



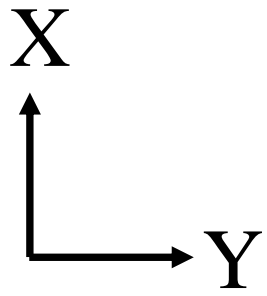
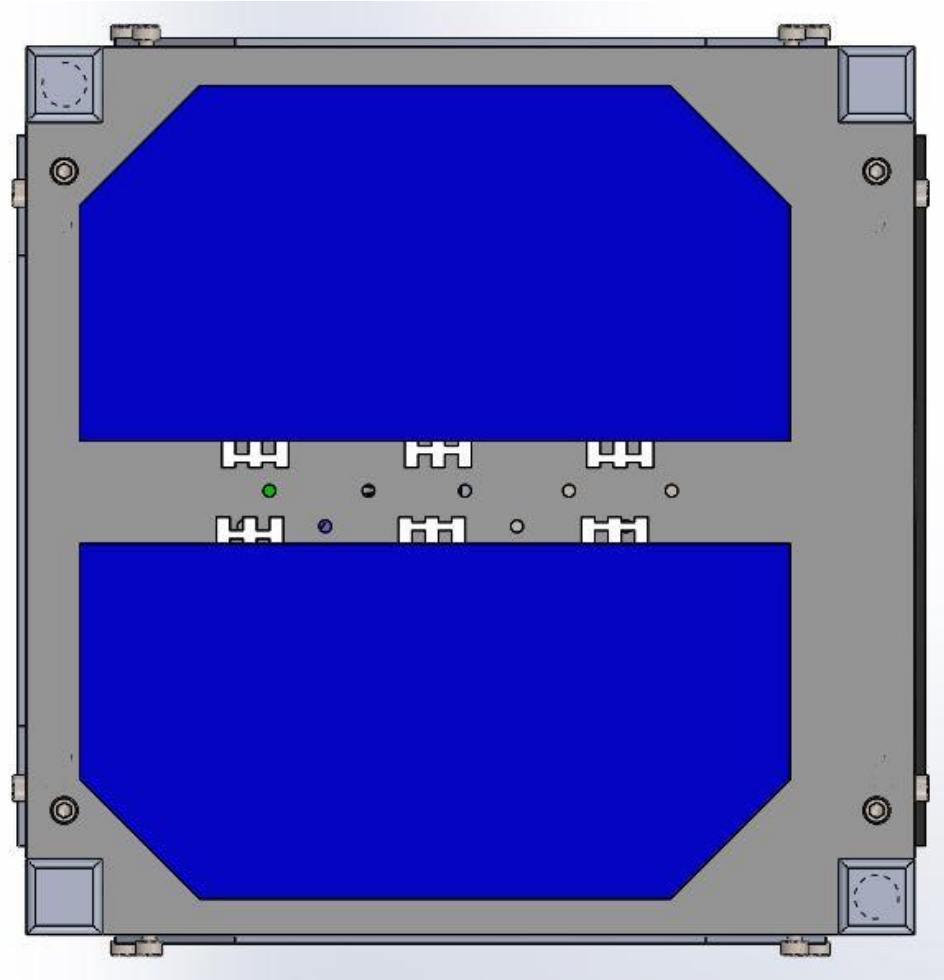
-Y面

Remove Before Flight
Pin

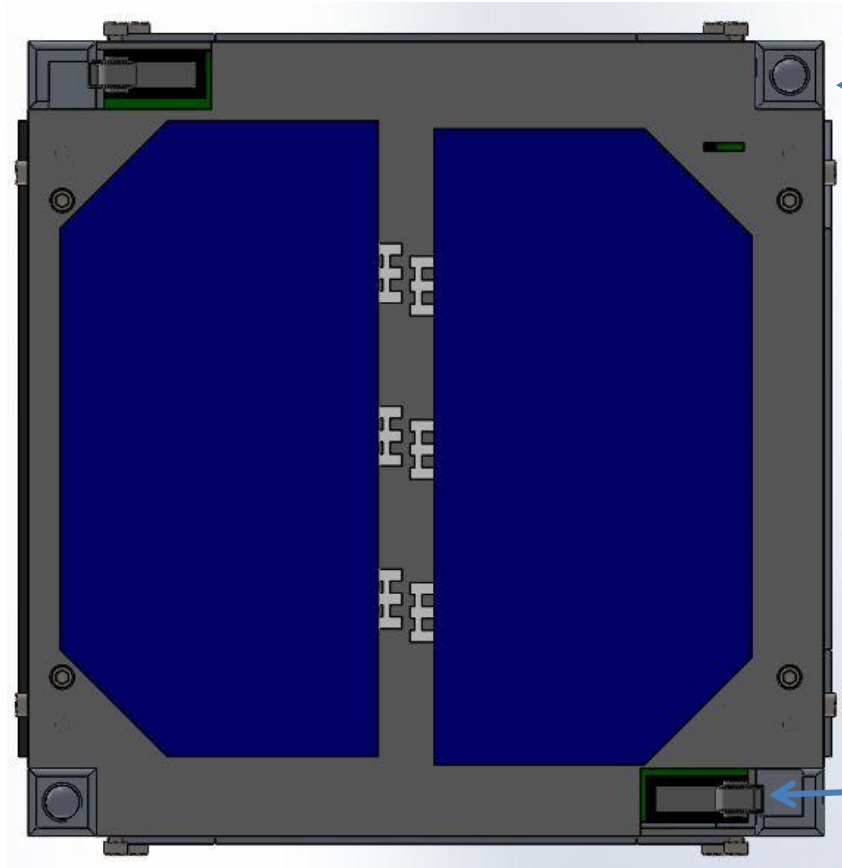
Solar cell



+Z面

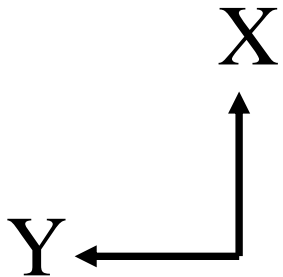


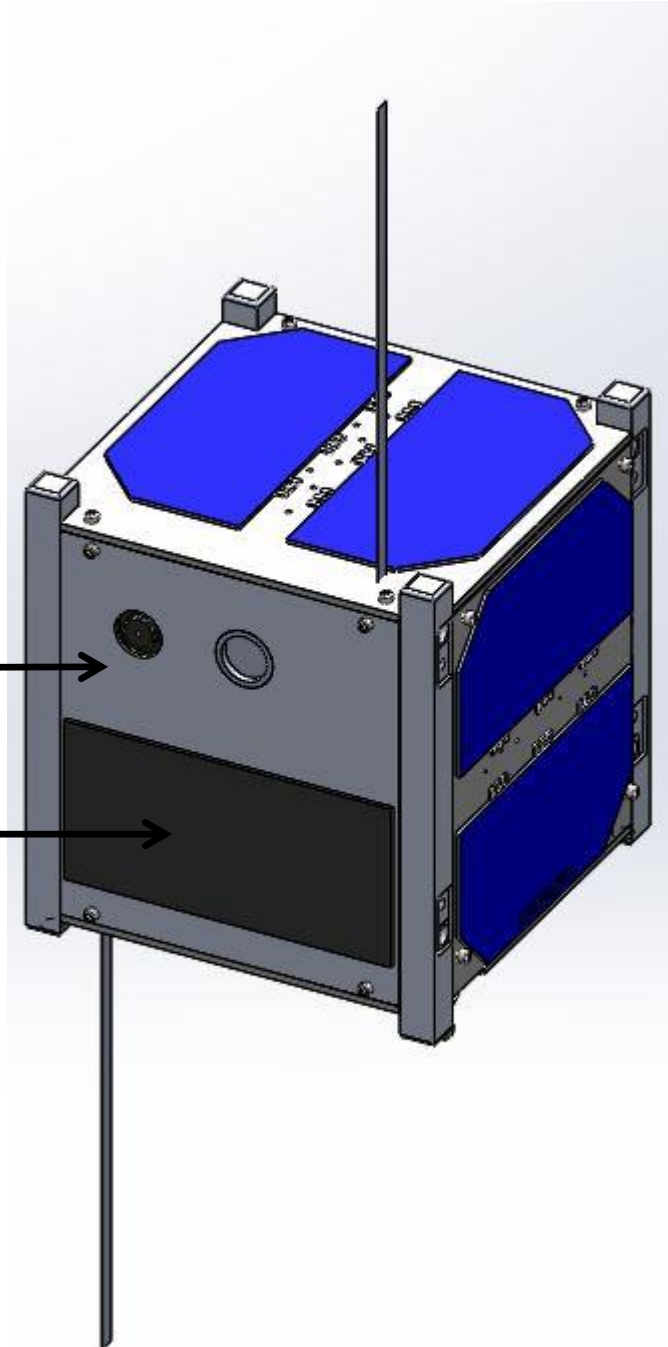
-Z面



Separation
Spring

Deployment
Switch





Cameras



Patch Antenna

